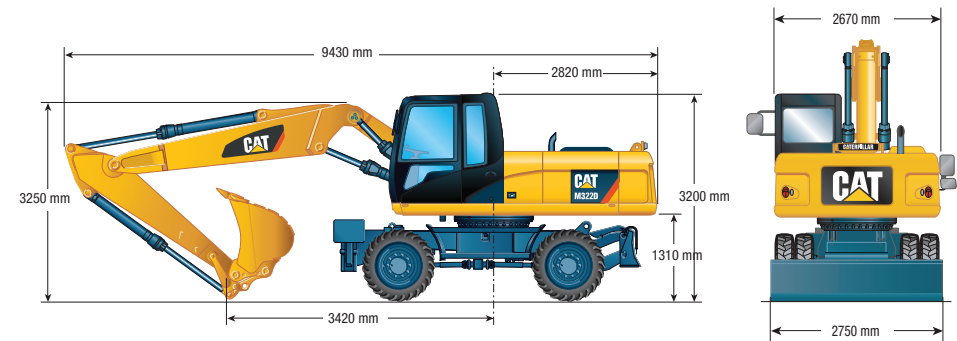


M322D WHEELED EXCAVATOR | 24T

PRODUCT SPECIFICATIONS

CAT

Weights	
Operating Weight	20,230 kg
Engine	
Model	CAT C6.6 ACERT
Gross Power	129 kW
Net Power ISO9249	123 kW / 165hp
Net Power EEC 80/1269	123 kW / 165hp
Bore	105 mm
Stroke	127 mm
Displacement	6.6 L
Swing System	
Swing Torque	56 kN.m
Swing Speed	9 rpm
Fuel Burn	
Low	11.0 - 17.0 Litres per hour
Medium	17.0 - 23.0 Litres per hour
High	23.0 - 26.0 Litres per hour



		VA Boom
Stick Length	mm (ft/in)	2900 (9'6")
1 Digging Height	mm (ft/in)	10 930 (35'11")
2 Dump Height	mm (ft/in)	7500 (24'8")
3 Digging Depth	mm (ft/in)	6680 (21'11")
4 Vertical Wall Digging Depth	mm (ft/in)	4830 (15'10")
5 Depth 2.5 m (8'2") Straight Clean-Up	mm (ft/in)	6510 (21'5")
6 Reach	mm (ft/in)	10 390 (34'1")
7 Reach at Ground Level	mm (ft/in)	10 230 (33'7")
Bucket Forces (ISO 6015)	kN (lbf)	140 (31,472)
Stick Forces (ISO 6015)	kN (lbf)	104 (23,379)

DISCLAIMER: This Product Specification Sheet was produced 01/2020. Every effort has been made to ensure that the content is accurate, however the contents are subject to change. Information contained in this Specification Sheet is: for general information only and does not purport to be comprehensive, current only at the time it is placed in this document compiled from manufacturer and industry sources; and not intended to provide nor make any recommendation upon which you should rely for any purpose whatsoever. Ezyquip Hire makes no warranty express or implied, including without limitation any warranty of merchantability or fitness for any particular purpose. Ezyquip Hire shall not be liable for any special, incidental, or consequential damages or loss of profits resulting from use of or misuse of the general information provided in this document.