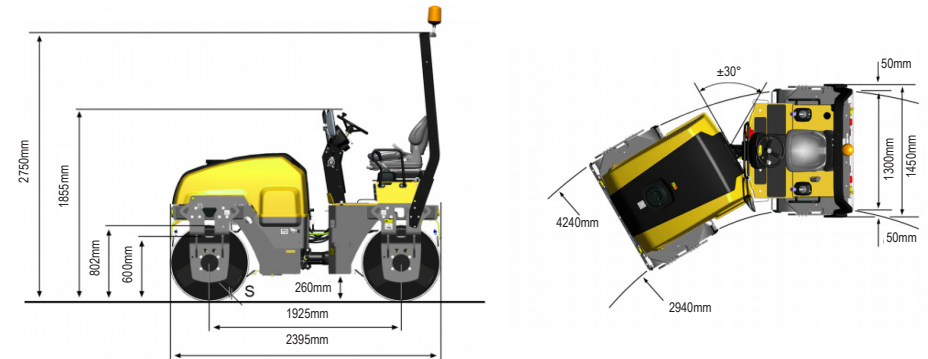


# CC1300 VIBRATORY ROLLER | 4T

## PRODUCT SPECIFICATIONS

DYNAPAC

<b>Type</b>	Double Drum
<b>Masses</b>	
Maximum Operating Mass	4,030 kg
<b>Traction</b>	
Speed Range (km/ h)	0 - 10 km/h
Vertical Oscillation	±10°
Theor. Gradeability	41 %
<b>Compaction</b>	
Centrifugal Force	33 kN
Static Linear Load - Front Rear	14.5 kg/cm
Static Linear Load - Rear	15.4 kg/cm
Vibration Frequency	52 Hz
Water Tank (L)	200 L
<b>Engine</b>	
Model	Kubota V2203-M
Type	Water cooled
Rated Power - SAE J1995	33 kW (44 hp ) @ 2,600 rpm
Fuel Tank Capacity	50 L
<b>Fuel Burn</b>	
Medium	4.9 Litres per hour
High	9.9 Litres per hour



DISCLAIMER: This Product Specification Sheet was produced 01/2020. Every effort has been made to ensure that the content is accurate, however the contents are subject to change. Information contained in this Specification Sheet is for general information only and does not purport to be comprehensive, current only at the time it is placed in this document compiled from manufacturer and industry sources; and not intended to provide nor make any recommendation upon which you should rely for any purpose whatsoever. Ezyquip Hire makes no warranty express or implied, including without limitation any warranty of merchantability or fitness for any particular purpose. Ezyquip Hire shall not be liable for any special, incidental, or consequential damages or loss of profits resulting from use of or misuse of the general information provided in this document.