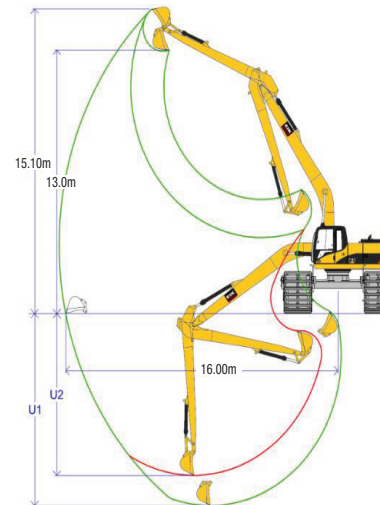
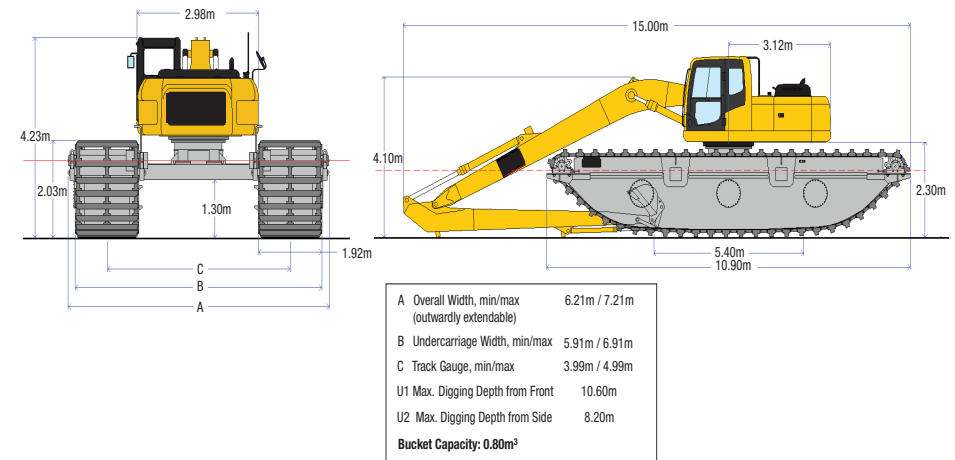


AM300 AMBIBIOUS EXCAVATOR | 50T

PRODUCT SPECIFICATIONS

CAT

Engine	
Model	CAT C7.1 with ACERT
Net Power – SAE J1349/ISO 9249	175 kW / 239 hp
Gross Power – SAE J1995	178 kW / 242 hp
Bore	105 mm
Stroke	135 mm
Displacement	7.01 L
Weights	
Operating Weight (min)*	29,560 kg
Operating Weight (max)**	31,707 kg
* 6.15 m (20'2") Reach Boom, R3.2CB2 (10'6") Stick, 600 mm (24") SG Shoes, 5.8 mt (6.3 t) Counterweight, 1.3 m ³ Bucket. ** 10.2 m (33'6") SLR Boom, 7.85 m (25'9") Stick, 800 mm (31") TG Shoes, 6.75 mt (7.4 t) Counterweight, 0.53 m ³ Bucket.	
Fuel Burn	
Low	7.8 - 15.5 Litres per hour
Medium	15.5 - 23.3 Litres per hour
High	23.3 - 31.0 Litres per hour



DISCLAIMER: This Product Specification Sheet was produced 01/2020. Every effort has been made to ensure that the content is accurate, however the contents are subject to change. Information contained in this Specification Sheet is: for general information only and does not purport to be comprehensive, current only at the time it is placed in this document compiled from manufacturer and industry sources; and not intended to provide nor make any recommendation upon which you should rely for any purpose whatsoever. Ezyquip Hire makes no warranty express or implied, including without limitation any warranty of merchantability or fitness for any particular purpose. Ezyquip Hire shall not be liable for any special, incidental, or consequential damages or loss of profits resulting from use of or misuse of the general information provided in this document.