

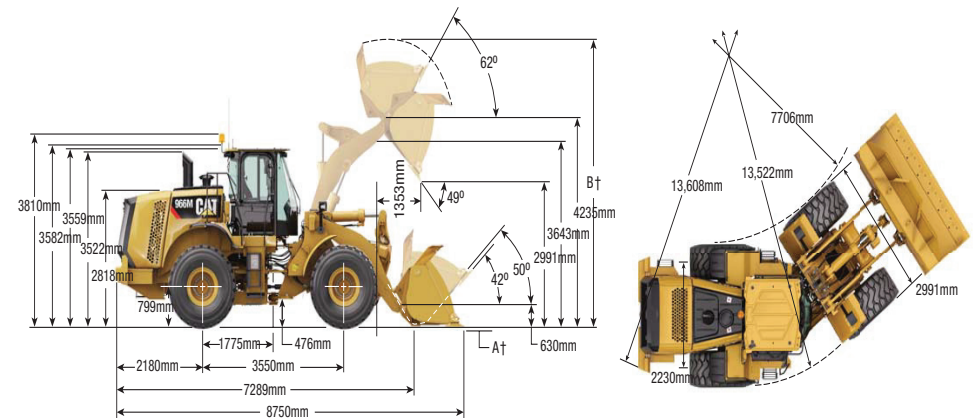
966M WHEEL LOADER | 23T

PRODUCT SPECIFICATIONS

CAT

Engine	
Model	CAT C9.3 ACERT
Max Gross Power (1,800 rpm) - SAE J1995	232 kW / 311 hp
Max Net Power (1,700 rpm) - SAE J1349	206 kW / 276 hp
Peak Gross Torque (1,200 rpm) - SAE J1995	1599 Nm
Maximum Net Torque (1,000 rpm) - SAE J1349	1527 Nm
Bore	115 mm
Stroke	149 mm
Displacement	9.3 L
Weights	
Operating	23,220 kg
Buckets	
Bucket Capacities	2.5 - 9.2 m ³
Operating Specifications	
	General Purpose Bucket - Pin On Bolt-On Cutting Edges
Capacity - Rated	4.00 m ³
Capacity - Rated at 110% Fill Factor	4.40 m ³
Width	3,220 mm
Dump Clearance - At max lift and 45° discharge	3,058 mm
Reach - At max lift and 45° discharge	1,299 mm
Reach - At level lift arm and bucket level	2,715 mm
Digging Depth	124 mm
Overall Length - With bucket	8,663 mm
Overall Height - With bucket at max lift	5,902 mm
Loader Clearance Circle Radius - With bucket in carry position	14,979 mm
Static Tipping Load - Straight (With Tire Deflection)*	16,856 kg
Static Tipping Load - Straight (No Tire Deflection)*	18,037 kg
Static Tipping Load - Articulated (With Tire Deflection)*	14,855 kg
Static Tipping Load - Articulated (No Tire Deflection)*	16,017 kg
Breakout Force	185 kN
Operating Weight*	23,164 kg

Transmission	
Forward 1	6.7 km/h
Forward 2	13.0 km/h
Forward 3	23.5 km/h
Forward 4	40.0 km/h
Reverse 1	7.1 km/h
Reverse 2	14.4 km/h
Reverse 3	25.9 km/h
Reverse 4	40.0 km/h
Fuel Burn	
Low	8.9 - 12.6 Litres per hour
Medium	12.6 - 15.7 Litres per hour
High	15.7 - 19.0 Litres per hour



DISCLAIMER: This Product Specification Sheet was produced 01/2020. Every effort has been made to ensure that the content is accurate, however the contents are subject to change. Information contained in this Specification Sheet is for general information only and does not purport to be comprehensive, current only at the time it is placed in this document compiled from manufacturer and industry sources; and not intended to provide nor make any recommendation upon which you should rely for any purpose whatsoever. Ezyquip Hire makes no warranty express or implied, including without limitation any warranty of merchantability or fitness for any particular purpose. Ezyquip Hire shall not be liable for any special, incidental, or consequential damages or loss of profits resulting from use of or misuse of the general information provided in this document.