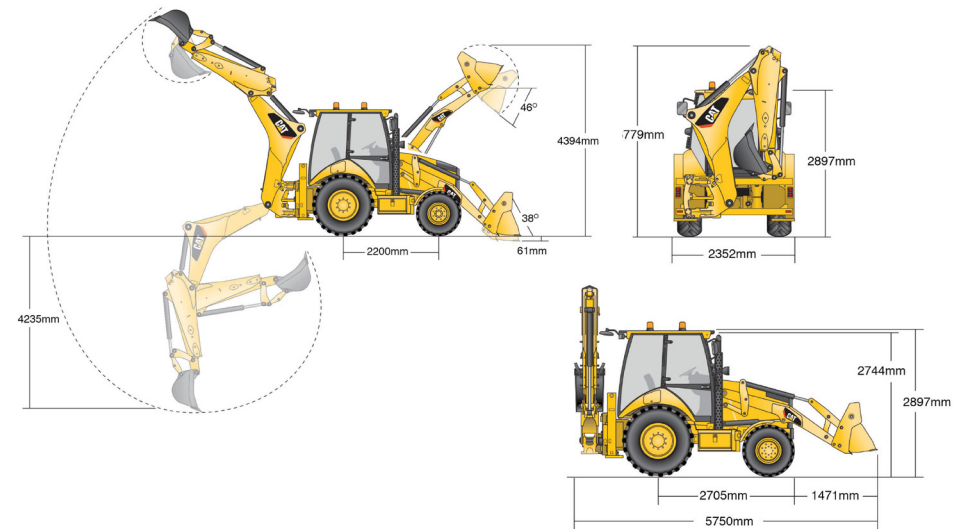


# 432F BACKHOE LOADER | 9T

## PRODUCT SPECIFICATIONS

CAT

Engine	
Model	CAT C4.4 ACERT
Gross – ISO 14396	74.5 kW / 101 hp
Net – ISO 9249	69.9 kW / 95 hp
Net – 80/1269/EEC	69.9 kW / 95 hp
Net Torque Rise at 1,400 rpm	
82 kW / 111 hp	32%
74.5 kW / 101 hp	46%
Peak Torque Rise at 1,400 rpm	
82 kW / 111 hp	450 Nm
74.5 kW / 101 hp	450 Nm
Bore	105 mm
Stroke	127 mm
Displacement	4.4L
Weights	
Operating Weight	8,973 kg
Fuel Burn	
Low	2.6 - 11.7 Litres per hour
Medium	11.7 - 17.4 Litres per hour
High	17.4 - 20.1 Litres per hour



DISCLAIMER: This Product Specification Sheet was produced 01/2020. Every effort has been made to ensure that the content is accurate, however the contents are subject to change. Information contained in this Specification Sheet is for general information only and does not purport to be comprehensive, current only at the time it is placed in this document compiled from manufacturer and industry sources; and not intended to provide nor make any recommendation upon which you should rely for any purpose whatsoever. Ezyquip Hire makes no warranty express or implied, including without limitation any warranty of merchantability or fitness for any particular purpose. Ezyquip Hire shall not be liable for any special, incidental, or consequential damages or loss of profits resulting from use of or misuse of the general information provided in this document.