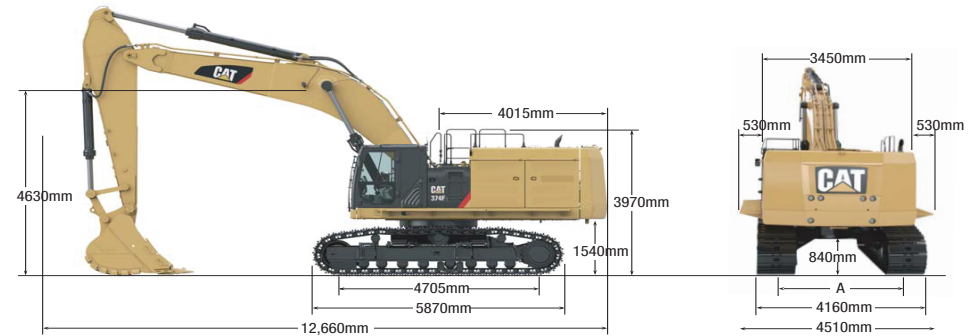


374FL HYDRAULIC EXCAVATOR MASS BOOM | 75T

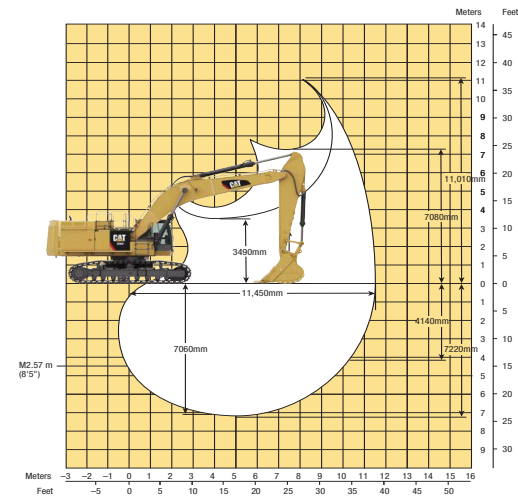
PRODUCT SPECIFICATIONS

CAT

| Engine | |
|--------------------------|-----------------------------|
| Model | CAT C15 ACERT |
| Engine Power (ISO 14396) | 362 kW / 485 hp |
| Net Power (SAE J1349) | 352 kW / 472 hp |
| Bore | 137 mm |
| Stroke | 171 mm |
| Displacement | 15.2 L |
| Weights | |
| Maximum Weight* | 74,958 kg |
| Fuel Burn | |
| Low | 19.2 - 32.4 Litres per hour |
| Medium | 32.4 - 42.5 Litres per hour |
| High | 42.5 - 49.5 Litres per hour |



| | |
|---------------------------|---------|
| A Track Gauge – retracted | 2750 mm |
| Track Gauge – extended | 3410 mm |



DISCLAIMER: This Product Specification Sheet was produced 01/2020. Every effort has been made to ensure that the content is accurate, however the contents are subject to change. Information contained in this Specification Sheet is for general information only and does not purport to be comprehensive, current only at the time it is placed in this document compiled from manufacturer and industry sources; and not intended to provide nor make any recommendation upon which you should rely for any purpose whatsoever. Ezyquip Hire makes no warranty express or implied, including without limitation any warranty of merchantability or fitness for any particular purpose. Ezyquip Hire shall not be liable for any special, incidental, or consequential damages or loss of profits resulting from use of or misuse of the general information provided in this document.

ezyquip hire
Hire and Maintenance Specialists