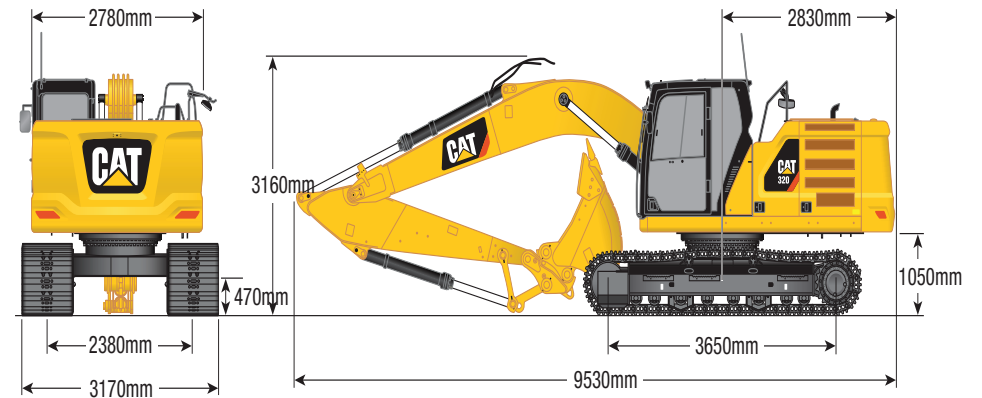


320 NEXTGEN EXCAVATOR | 22T

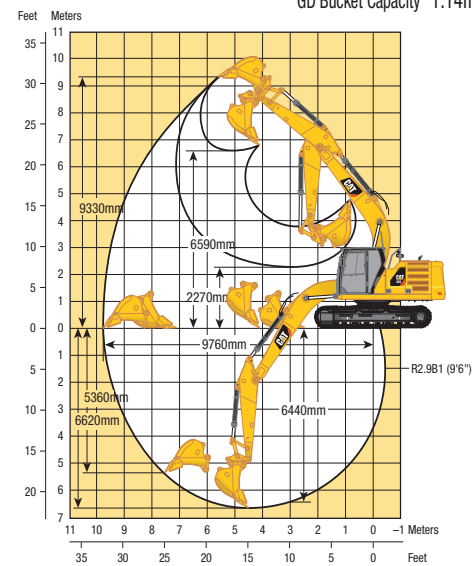
PRODUCT SPECIFICATIONS

CAT

Weights	
Operating Weight (max)	22,500 kg
Engine	
Model	CAT C4.4 ACERT
Net Power – SAE J1995	121 kW / 162 hp
Gross Power – ISO 14396/SAE J1995	121 kW / 162 hp
Bore	105 mm
Stroke	127 mm
Displacement	4.4 L
Fuel Burn	
Low	4.5 - 8.9 Litres per hour
Medium	8.9 - 13.4 Litres per hour
High	13.4 - 17.8 Litres per hour



GD Bucket Capacity 1.14m³



DISCLAIMER: This Product Specification Sheet was produced 01/2020. Every effort has been made to ensure that the content is accurate, however the contents are subject to change. Information contained in this Specification Sheet is: for general information only and does not purport to be comprehensive, current only at the time it is placed in this document compiled from manufacturer and industry sources; and not intended to provide nor make any recommendation upon which you should rely for any purpose whatsoever. Ezyquip Hire makes no warranty express or implied, including without limitation any warranty of merchantability or fitness for any particular purpose. Ezyquip Hire shall not be liable for any special, incidental, or consequential damages or loss of profits resulting from use of or misuse of the general information provided in this document.