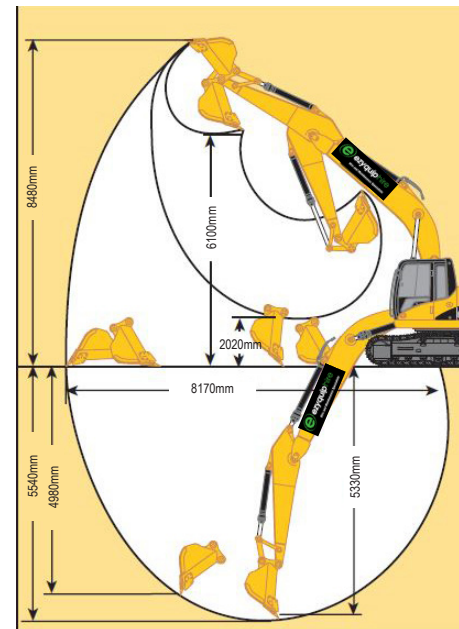
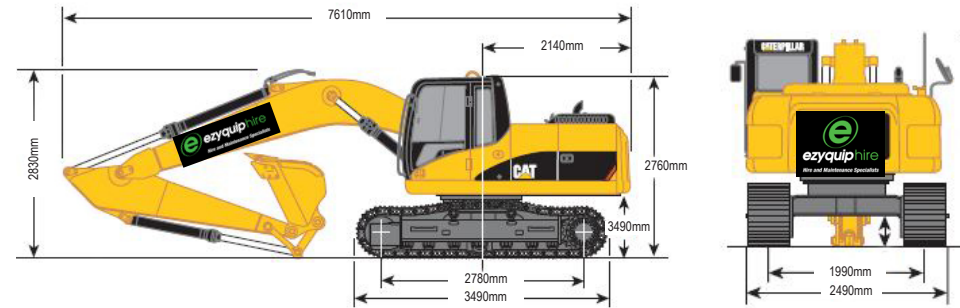


# 312D HYDRAULIC EXCAVATOR | 13T

## PRODUCT SPECIFICATIONS

CAT

Weights	
Operating Weight - Standard Undercarriage	12,920 kg
Engine	
Model	CAT C4.2 ACERT
Gross Power	72 kW / 97 hp
Net Power	67 kW / 90 hp
SAE J1349	67 kW / 90 hp
Bore	102 mm / 4.02"
Stroke	130 mm / 5.12"
Displacement	4.25 L / 259.3" <sup>3</sup>
Fuel Burn	
Low	4.0 - 7.5 Litres per hour
Medium	7.5 - 11.5 Litres per hour
High	11.5 - 15.2 Litres per hour



DISCLAIMER: This Product Specification Sheet was produced 01/2020. Every effort has been made to ensure that the content is accurate, however the contents are subject to change. Information contained in this Specification Sheet is for general information only and does not purport to be comprehensive, current only at the time it is placed in this document compiled from manufacturer and industry sources; and not intended to provide nor make any recommendation upon which you should rely for any purpose whatsoever. Ezyquip Hire makes no warranty express or implied, including without limitation any warranty of merchantability or fitness for any particular purpose. Ezyquip Hire shall not be liable for any special, incidental, or consequential damages or loss of profits resulting from use of or misuse of the general information provided in this document.